

Adjustable Hand Levers

Zinc Die Casting, Insert Steel,
with Internal Thread / Reamed Hole,
with External Thread

SPECIFICATION

Handle

Zinc die casting

- Powder coated
 - Black, RAL 9005, textured finish **SW**
 - Black, RAL 9005, silk finish **SZ**
 - Orange, RAL 2004, textured finish **OS**
 - Red, RAL 3000, textured finish **RS**
 - Silver, RAL 9006, textured finish **SR**
- Chrome plated **CR**
- Uncoated **RH**

- Tumbled

Insert / Retaining screw

Steel, blackened

Property class 5.8 (external thread)

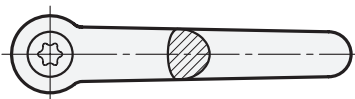
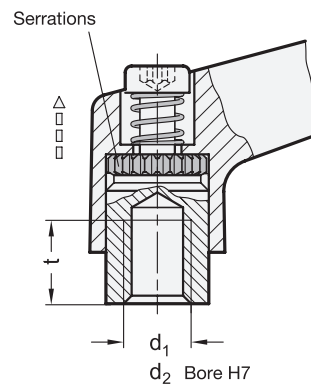
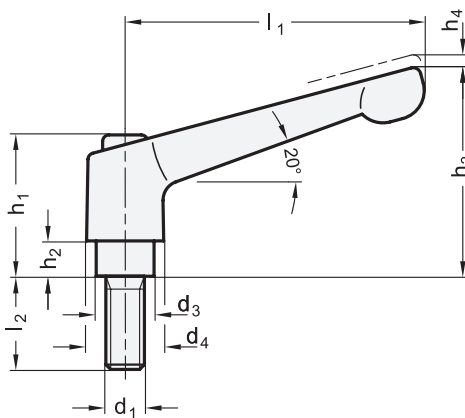
INFORMATION

Adjustable hand levers GN 300 are ideal whenever parts have to be clamped in a confined space or in a particular lever position. The centre insert is connected to the lever via serrations which can easily be disengaged.

Pulling the lever, disengages the serrations and allowing it to be swivelled to the ideal clamping position. On releasing the lever the serrations automatically re-engage.

TECHNICAL INFORMATION

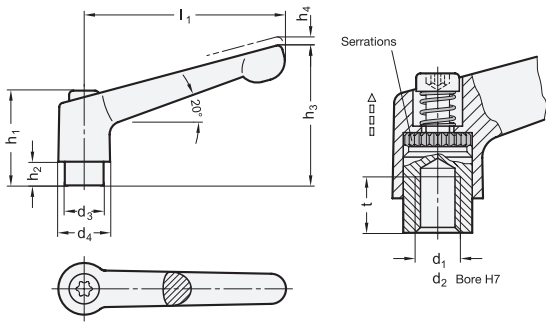
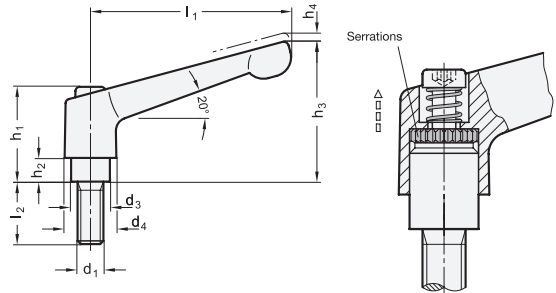
- ISO-Fundamental Tolerances (see page A21)
- Strength Values of Screws (see page A20)



* Complete with

- SW**
RAL9005
- SZ**
RAL9005
- OS**
RAL2004
- RS**
RAL3000
- SR**
RAL9006
- CR**
Chrome-plated

RH
Uncoated



GN 300-With external thread

Description	l1	d1	l2	d3	d4	h1	h2	h3	h4	Stroke	
GN 300-22-M3-6-*	22	M 3	6	8	10.5	18.5	2	23	3	13	
GN 300-22-M3-8-*	22	M 3	8	8	10.5	18.5	2	23	3	15	
GN 300-22-M3-10-*	22	M 3	10	8	10.5	18.5	2	23	3	17	
GN 300-22-M3-12-*	22	M 3	12	8	10.5	18.5	2	23	3	18	
GN 300-22-M3-16-*	22	M 3	16	8	10.5	18.5	2	23	3	20	
GN 300-22-M4-12-*	22	M 4	12	8	10.5	18.5	2	23	3	14	
GN 300-22-M4-16-*	22	M 4	16	8	10.5	18.5	2	23	3	15	
GN 300-22-M4-20-*	22	M 4	20	8	10.5	18.5	2	23	3	16	
GN 300-22-M4-25-*	22	M 4	25	8	10.5	18.5	2	23	3	17	
GN 300-22-M4-32-*	22	M 4	32	8	10.5	18.5	2	23	3	18	
GN 300-22-M5-12-*	22	M 5	12	8	10.5	18.5	2	23	3	13	
GN 300-22-M5-16-*	22	M 5	16	8	10.5	18.5	2	23	3	15	
GN 300-22-M5-20-*	22	M 5	20	8	10.5	18.5	2	23	3	16	
GN 300-22-M5-25-*	22	M 5	25	8	10.5	18.5	2	23	3	17	
GN 300-22-M5-32-*	22	M 5	32	8	10.5	18.5	2	23	3	18	
GN 300-30-M3-6-*	30	M 3	6	10	13	24.5	4	31	3.5	26	
GN 300-30-M3-8-*	30	M 3	8	10	13	24.5	4	31	3.5	30	
GN 300-30-M3-10-*	30	M 3	10	10	13	24.5	4	31	3.5	33	
GN 300-30-M3-12-*	30	M 3	12	10	13	24.5	4	31	3.5	35	
GN 300-30-M3-16-*	30	M 3	16	10	13	24.5	4	31	3.5	35	
GN 300-30-M4-12-*	30	M 4	12	10	13	24.5	4	31	3.5	28	
GN 300-30-M4-16-*	30	M 4	16	10	13	24.5	4	31	3.5	30	
GN 300-30-M4-20-*	30	M 4	20	10	13	24.5	4	31	3.5	31	
GN 300-30-M4-25-*	30	M 4	25	10	13	24.5	4	31	3.5	32	
GN 300-30-M4-32-*	30	M 4	32	10	13	24.5	4	31	3.5	32	
GN 300-30-M5-12-*	30	M 5	12	10	13	24.5	4	31	3.5	28	
GN 300-30-M5-16-*	30	M 5	16	10	13	24.5	4	31	3.5	29	
GN 300-30-M5-20-*	30	M 5	20	10	13	24.5	4	31	3.5	32	
GN 300-30-M5-25-*	30	M 5	25	10	13	24.5	4	31	3.5	33	
GN 300-30-M5-32-*	30	M 5	32	10	13	24.5	4	31	3.5	34	
GN 300-30-M5-40-*	30	M 5	40	10	13	24.5	4	31	3.5	35	
GN 300-30-M5-50-*	30	M 5	50	10	13	24.5	4	31	3.5	36	
GN 300-30-M6-12-*	30	M 6	12	10	13	24.5	4	31	3.5	29	
GN 300-30-M6-16-*	30	M 6	16	10	13	24.5	4	31	3.5	30	
GN 300-30-M6-20-*	30	M 6	20	10	13	24.5	4	31	3.5	31	
GN 300-30-M6-25-*	30	M 6	25	10	13	24.5	4	31	3.5	32	
GN 300-30-M6-32-*	30	M 6	32	10	13	24.5	4	31	3.5	33	
GN 300-30-M6-40-*	30	M 6	40	10	13	24.5	4	31	3.5	34	
GN 300-30-M6-50-*	30	M 6	50	10	13	24.5	4	31	3.5	35	
GN 300-45-M4-12-*	45	M 4	12	10	13	24.5	4	34	3.5	37	
GN 300-45-M4-16-*	45	M 4	16	10	13	24.5	4	34	3.5	39	
GN 300-45-M4-20-*	45	M 4	20	10	13	24.5	4	34	3.5	40	
GN 300-45-M4-25-*	45	M 4	25	10	13	24.5	4	34	3.5	41	
GN 300-45-M4-32-*	45	M 4	32	10	13	24.5	4	34	3.5	42	
GN 300-45-M5-12-*	45	M 5	12	10	13	24.5	4	34	3.5	36	
GN 300-45-M5-16-*	45	M 5	16	10	13	24.5	4	34	3.5	37	
GN 300-45-M5-20-*	45	M 5	20	10	13	24.5	4	34	3.5	38	
GN 300-45-M5-25-*	45	M 5	25	10	13	24.5	4	34	3.5	39	

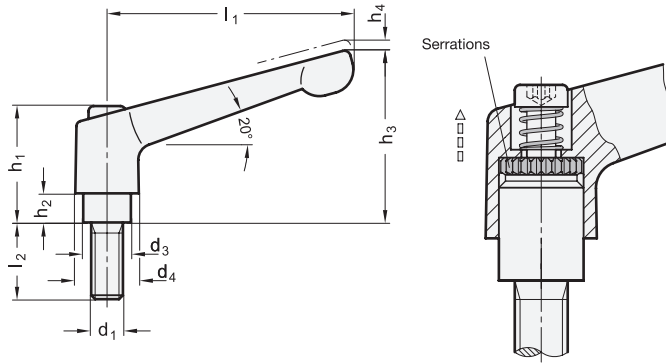
GN 300-With internal thread / reamed hole

Description	l1	d1 Thread	d2 H7 Bore	d3	d4	h1	h2	h3	h4	Stroke	t min.	
GN 300-22-B4-*	22	-	B 4	8	10.5	18.5	2	23	3	5	12	
GN 300-22-B5-*	22	-	B 5	8	10.5	18.5	2	23	3	5	11	
GN 300-22-M3-*	22	M 3	-	8	10.5	18.5	2	23	3	5	13	
GN 300-22-M4-*	22	M 4	-	8	10.5	18.5	2	23	3	5	12	
GN 300-22-M5-*	22	M 5	-	8	10.5	18.5	2	23	3	5	11	
GN 300-30-B5-*	30	-	B 5	10	13	24.5	4	31	3.5	9	26	
GN 300-30-B6-*	30	-	B 6	10	13	24.5	4	31	3.5	9	25	
GN 300-30-M3-*	30	M 3	-	10	13	24.5	4	31	3.5	7	30	
GN 300-30-M4-*	30	M 4	-	10	13	24.5	4	31	3.5	9	27	
GN 300-30-M5-*	30	M 5	-	10	13	24.5	4	31	3.5	9	25	
GN 300-30-M6-*	30	M 6	-	10	13	24.5	4	31	3.5	9	24	
GN 300-45-B5-*	45	-	B 5	10	13	24.5	4	34	3.5	9	33	
GN 300-45-B6-*	45	-	B 6	10	13	24.5	4	34	3.5	9	32	
GN 300-45-M4-*	45	M 4	-	10	13	24.5	4	34	3.5	9	34	
GN 300-45-M5-*	45	M 5	-	10	13	24.5	4	34	3.5	9	33	
GN 300-45-M6-*	45	M 6	-	10	13	24.5	4	34	3.5	9	32	
GN 300-63-B8-*	63	-	B 8	13.5	17.5	31	6.5	45	4	11	74	
GN 300-63-M6-*	63	M 6	-	13.5	17.5	31	6.5	45	4	11	77	
GN 300-63-M8-*	63	M 8	-	13.5	17.5	31	6.5	45	4	11	76	
GN 300-78-B8-*	78	-	B 8	16	21	36	8	54	4	14	122	
GN 300-78-B10-*	78	-	B 10	16	21	36	8	54	4	14	118	
GN 300-78-M8-*	78	M 8	-	16	21	36	8	54	4	14	123	
GN 300-78-M10-*	78	M 10	-	16	21	36	8	54	4	14	120	
GN 300-78-M12-*	78	M 12	-	16	21	36	8	54	4	14	150	
GN 300-92-B12-*	92	-	B 12	19	24	43	11	64	4	17	178	
GN 300-92-M10-*	92	M 10	-	19	24	43	11	64	4	17	186	
GN 300-92-M12-*	92	M 12	-	19	24	43	11	64	4	17	181	
GN 300-108-B12-*	108	-	B 12	23	30	50.5	12	75	5	22	305	
GN 300-108-B16-*	108	-	B 16	23	30	50.5	12	75	5	22	345	
GN 300-108-M12-*	108	M 12	-	23	30	50.5	12	75	5	22	306	
GN 300-108-M14-*	108	M 14	-	23	30	50.5	12	75	5	22	298	
GN 300-108-M16-*	108	M 16	-	23	30	50.5	12	75	5	22	287	

Weight SW

Weight SW





* Complete with

SW RAL9005
 SZ RAL9005
 OS RAL2004
 RS RAL3000
 SR RAL9006
 CR Chrome-plated
 RH Uncoated

GN 300-With external thread

Description	l1	d1	l2	d3	d4	h1	h2	h3	h4 Stroke	⚖
GN 300-45-M5-32-*	45	M 5	32	10	13	24.5	4	34	3.5	40
GN 300-45-M5-40-*	45	M 5	40	10	13	24.5	4	34	3.5	41
GN 300-45-M5-50-*	45	M 5	50	10	13	24.5	4	34	3.5	42
GN 300-45-M6-12-*	45	M 6	12	10	13	24.5	4	34	3.5	36
GN 300-45-M6-16-*	45	M 6	16	10	13	24.5	4	34	3.5	37
GN 300-45-M6-20-*	45	M 6	20	10	13	24.5	4	34	3.5	38
GN 300-45-M6-25-*	45	M 6	25	10	13	24.5	4	34	3.5	40
GN 300-45-M6-32-*	45	M 6	32	10	13	24.5	4	34	3.5	41
GN 300-45-M6-40-*	45	M 6	40	10	13	24.5	4	34	3.5	42
GN 300-45-M6-50-*	45	M 6	50	10	13	24.5	4	34	3.5	43
GN 300-63-M6-12-*	63	M 6	12	13.5	17.5	31	6.5	45	4	70
GN 300-63-M6-16-*	63	M 6	16	13.5	17.5	31	6.5	45	4	75
GN 300-63-M6-20-*	63	M 6	20	13.5	17.5	31	6.5	45	4	82
GN 300-63-M6-25-*	63	M 6	25	13.5	17.5	31	6.5	45	4	83
GN 300-63-M6-32-*	63	M 6	32	13.5	17.5	31	6.5	45	4	84
GN 300-63-M6-40-*	63	M 6	40	13.5	17.5	31	6.5	45	4	85
GN 300-63-M6-50-*	63	M 6	50	13.5	17.5	31	6.5	45	4	86
GN 300-63-M6-63-*	63	M 6	63	13.5	17.5	31	6.5	45	4	88
GN 300-63-M8-12-*	63	M 8	12	13.5	17.5	31	6.5	45	4	82
GN 300-63-M8-16-*	63	M 8	16	13.5	17.5	31	6.5	45	4	83
GN 300-63-M8-20-*	63	M 8	20	13.5	17.5	31	6.5	45	4	84
GN 300-63-M8-25-*	63	M 8	25	13.5	17.5	31	6.5	45	4	86
GN 300-63-M8-32-*	63	M 8	32	13.5	17.5	31	6.5	45	4	89
GN 300-63-M8-40-*	63	M 8	40	13.5	17.5	31	6.5	45	4	93
GN 300-63-M8-50-*	63	M 8	50	13.5	17.5	31	6.5	45	4	94
GN 300-63-M8-63-*	63	M 8	63	13.5	17.5	31	6.5	45	4	95
GN 300-63-M10-20-*	63	M 10	20	13.5	17.5	31	6.5	45	4	87
GN 300-63-M10-25-*	63	M 10	25	13.5	17.5	31	6.5	45	4	90
GN 300-63-M10-32-*	63	M 10	32	13.5	17.5	31	6.5	45	4	90
GN 300-63-M10-40-*	63	M 10	40	13.5	17.5	31	6.5	45	4	96
GN 300-63-M10-50-*	63	M 10	50	13.5	17.5	31	6.5	45	4	101
GN 300-63-M10-63-*	63	M 10	63	13.5	17.5	31	6.5	45	4	108
GN 300-63-M10-80-*	63	M 10	80	13.5	17.5	31	6.5	45	4	118
GN 300-78-M8-16-*	78	M 8	16	16	21	36	8	54	4	131
GN 300-78-M8-20-*	78	M 8	20	16	21	36	8	54	4	132
GN 300-78-M8-25-*	78	M 8	25	16	21	36	8	54	4	133
GN 300-78-M8-32-*	78	M 8	32	16	21	36	8	54	4	135
GN 300-78-M8-40-*	78	M 8	40	16	21	36	8	54	4	140
GN 300-78-M8-50-*	78	M 8	50	16	21	36	8	54	4	143
GN 300-78-M8-63-*	78	M 8	63	16	21	36	8	54	4	147
GN 300-78-M8-80-*	78	M 8	80	16	21	36	8	54	4	152
GN 300-78-M10-16-*	78	M 10	16	16	21	36	8	54	4	143
GN 300-78-M10-20-*	78	M 10	20	16	21	36	8	54	4	138
GN 300-78-M10-25-*	78	M 10	25	16	21	36	8	54	4	142
GN 300-78-M10-32-*	78	M 10	32	16	21	36	8	54	4	144
GN 300-78-M10-40-*	78	M 10	40	16	21	36	8	54	4	148
GN 300-78-M10-50-*	78	M 10	50	16	21	36	8	54	4	153

GN 300-With external thread

Description	l1	d1	l2	d3	d4	h1	h2	h3	h4 Stroke	⚖
GN 300-78-M10-63-*	78	M 10	63	16	21	36	8	54	4	160
GN 300-78-M10-80-*	78	M 10	80	16	21	36	8	54	4	166
GN 300-78-M12-20-*	78	M 12	20	16	21	36	8	54	4	141
GN 300-78-M12-25-*	78	M 12	25	16	21	36	8	54	4	145
GN 300-78-M12-32-*	78	M 12	32	16	21	36	8	54	4	150
GN 300-78-M12-40-*	78	M 12	40	16	21	36	8	54	4	156
GN 300-78-M12-50-*	78	M 12	50	16	21	36	8	54	4	163
GN 300-78-M12-63-*	78	M 12	63	16	21	36	8	54	4	171
GN 300-78-M12-80-*	78	M 12	80	16	21	36	8	54	4	183
GN 300-92-M10-16-*	92	M 10	16	19	24	43	11	64	4	199
GN 300-92-M10-20-*	92	M 10	20	19	24	43	11	64	4	202
GN 300-92-M10-25-*	92	M 10	25	19	24	43	11	64	4	205
GN 300-92-M10-32-*	92	M 10	32	19	24	43	11	64	4	209
GN 300-92-M10-40-*	92	M 10	40	19	24	43	11	64	4	209
GN 300-92-M10-50-*	92	M 10	50	19	24	43	11	64	4	214
GN 300-92-M10-63-*	92	M 10	63	19	24	43	11	64	4	229
GN 300-92-M10-80-*	92	M 10	80	19	24	43	11	64	4	229
GN 300-92-M12-16-*	92	M 12	16	19	24	43	11	64	4	206
GN 300-92-M12-20-*	92	M 12	20	19	24	43	11	64	4	207
GN 300-92-M12-25-*	92	M 12	25	19	24	43	11	64	4	212
GN 300-92-M12-32-*	92	M 12	32	19	24	43	11	64	4	217
GN 300-92-M12-40-*	92	M 12	40	19	24	43	11	64	4	220
GN 300-92-M12-50-*	92	M 12	50	19	24	43	11	64	4	230
GN 300-92-M12-63-*	92	M 12	63	19	24	43	11	64	4	240
GN 300-92-M12-80-*	92	M 12	80	19	24	43	11	64	4	250
GN 300-92-M16-25-*	92	M 16	25	19	24	43	11	64	4	226
GN 300-92-M16-32-*	92	M 16	32	19	24	43	11	64	4	234
GN 300-92-M16-40-*	92	M 16	40	19	24	43	11	64	4	245
GN 300-92-M16-50-*	92	M 16	50	19	24	43	11	64	4	259
GN 300-92-M16-63-*	92	M 16	63	19	24	43	11	64	4	276
GN 300-92-M16-80-*	92	M 16	80	19	24	43	11	64	4	300
GN 300-108-M12-25-*	108	M 12	25	23	30	50.5	12	75	5	350
GN 300-108-M12-32-*	108	M 12	32	23	30	50.5	12	75	5	356
GN 300-108-M12-40-*	108	M 12	40	23	30	50.5	12	75	5	363
GN 300-108-M12-50-*	108	M 12	50	23	30	50.5	12	75	5	371
GN 300-108-M12-63-*	108	M 12	63	23	30	50.5	12	75	5	383
GN 300-108-M12-80-*	108	M 12	80	23	30	50.5	12	75	5	390
GN 300-108-M12-120-*	108	M 12	120	23	30	50.5	12	75	5	410
GN 300-108-M16-25-*	108	M 16	25	23	30	50.5	12	75	5	355
GN 300-108-M16-32-*	108	M 16	32	23	30	50.5	12	75	5	365
GN 300-108-M16-40-*	108	M 16	40	23	30	50.5	12	75	5	376
GN 300-108-M16-50-*	108	M 16	50	23	30	50.5	12	75	5	388
GN 300-108-M16-63-*	108	M 16	63	23	30	50.5	12	75	5	407
GN 300-108-M16-80-*	108	M 16	80	23	30	50.5	12	75	5	429
GN 300-108-M16-120-*	108	M 16	120	23	30	50.5	12	75	5	476

Weight SW

Clamping levers 3